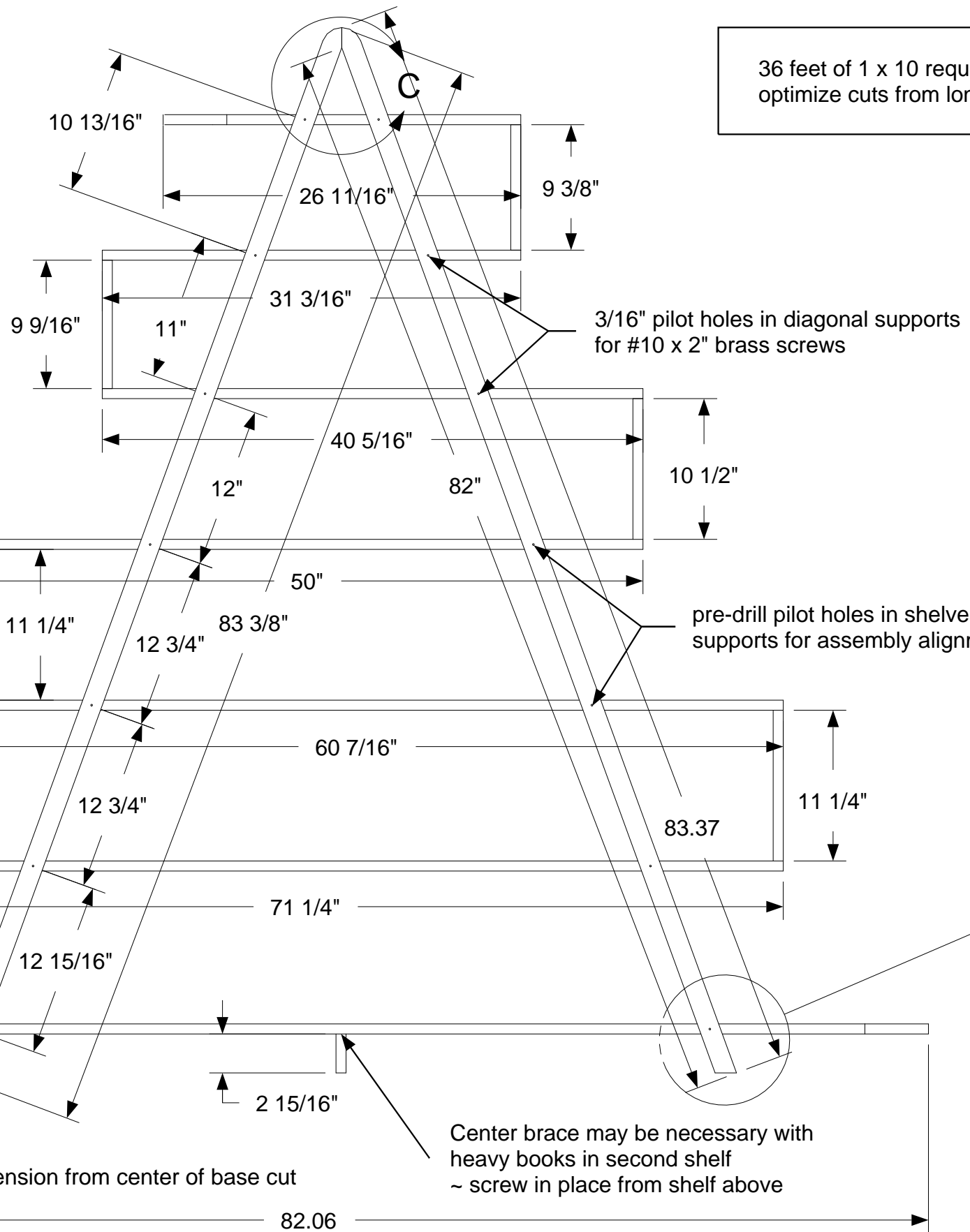
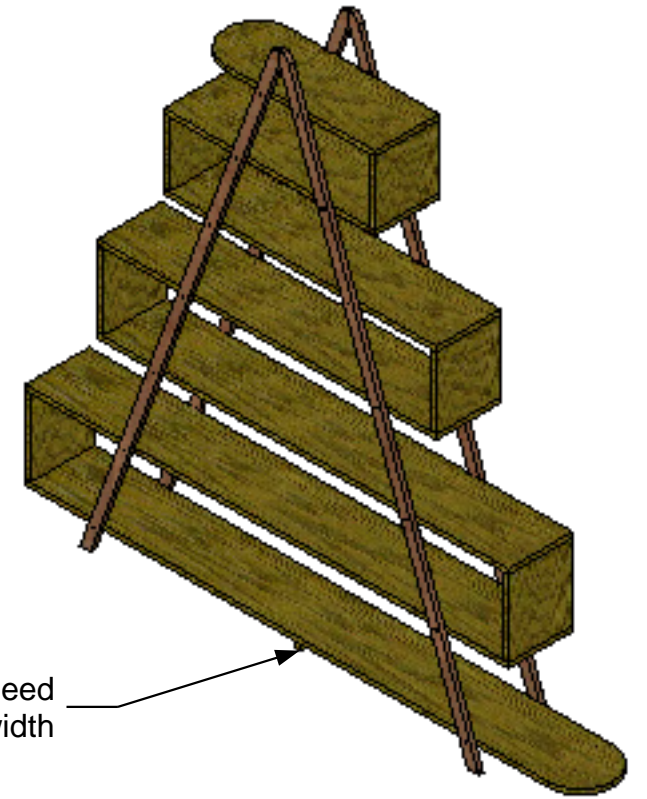


Detail C
SCALE 1 : 5



36 feet of 1 x 10 required ~ get extra & optimize cuts from longer board lengths

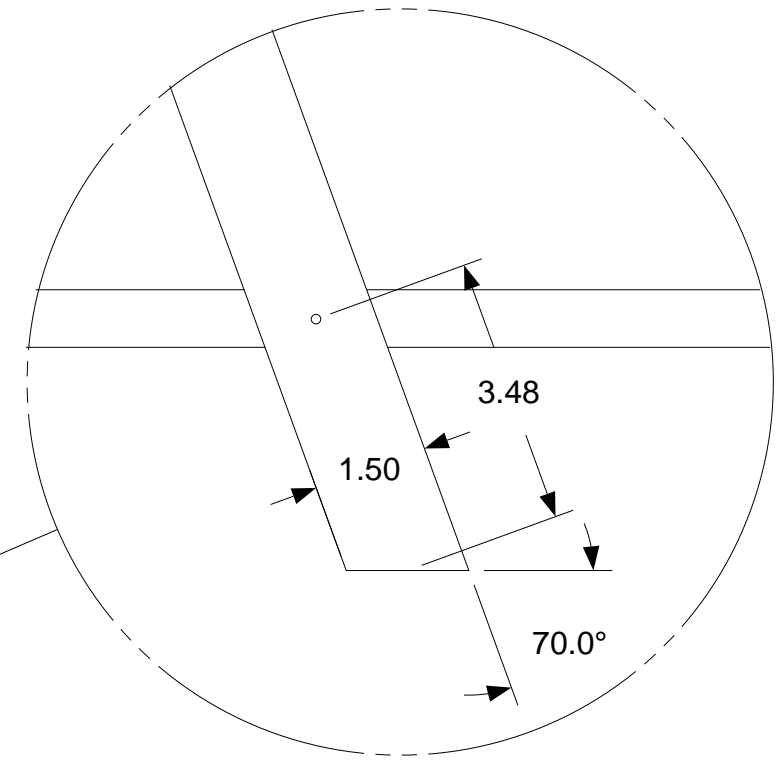


Center braces need not be shelf width

Dimensions of vertical shelf-supports based on 3/4" thickness. For other thickness, add or subtract the difference from all vertical dimensions

FRONT

pre-drill pilot holes in shelves and supports for assembly alignment



Bookshelf_zigzag3

Second set of dimensions

Designed and drawn by Larry Dobson