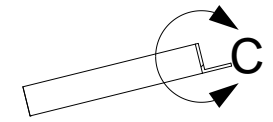
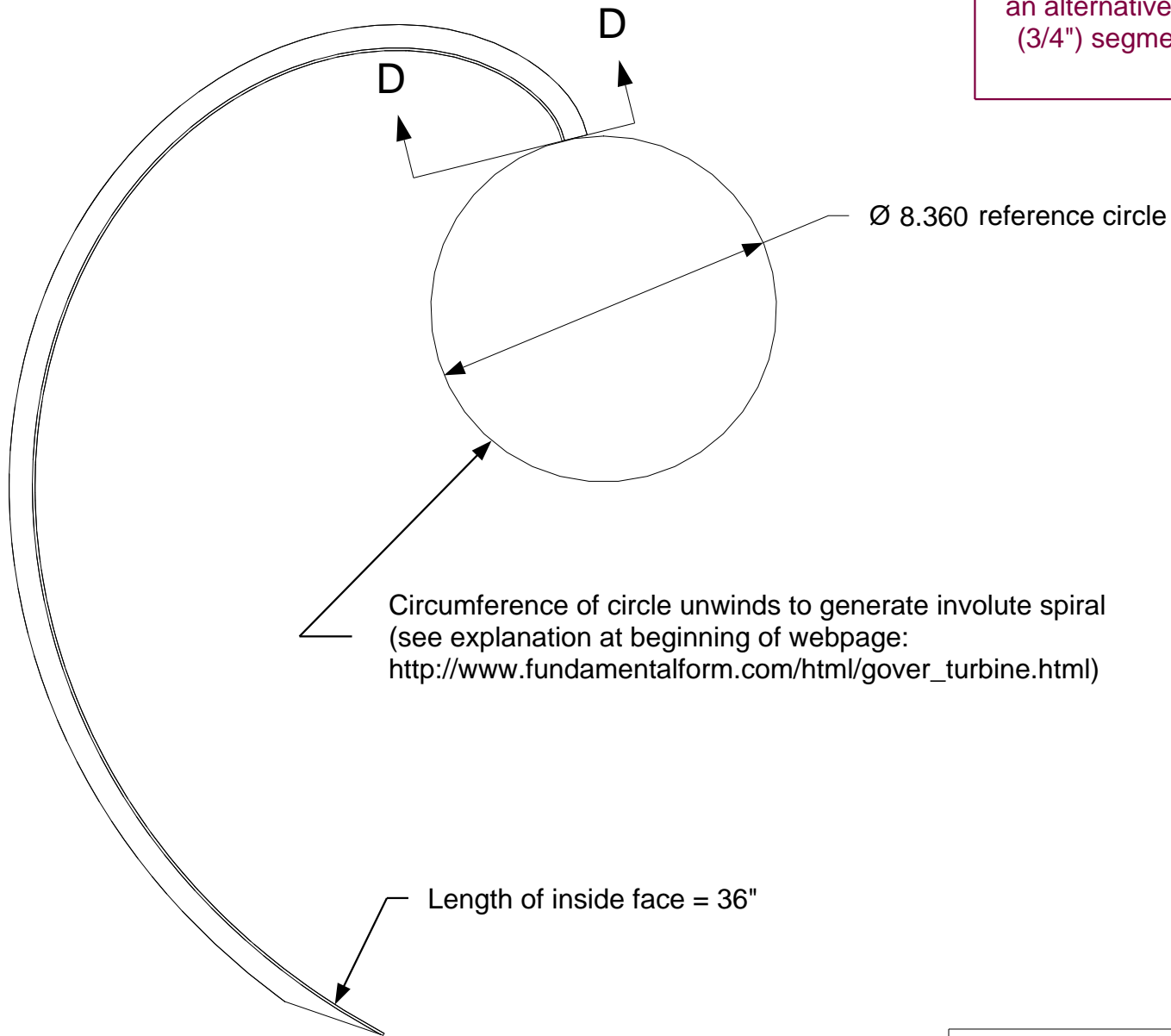
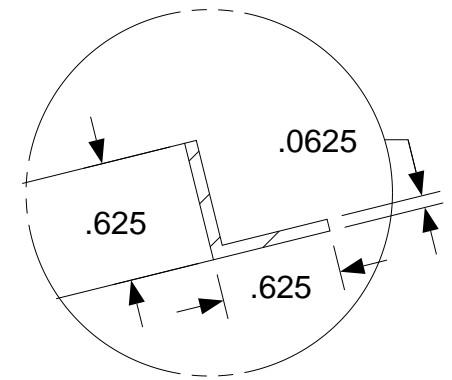


If this configuration is too difficult to fabricate,
 an alternative mounting method is to use short
 (3/4") segments riveted along involute length
 every 3"



Section D-D



Detail C

Make 5 identical parts to attach to right disk
 Make 5 mirror parts to attach to left disk

DESCRIPTION - NOTES		
3' wide vane attaches to inside face with stainless rivets bottom of bracket attaches to 3' dia. base disk		
SIZE A	DATE 6/22/09	DWG NAME Vane-to-disk attachment angle.icd
SCALE	drawn by Larry Dobson	SHEET